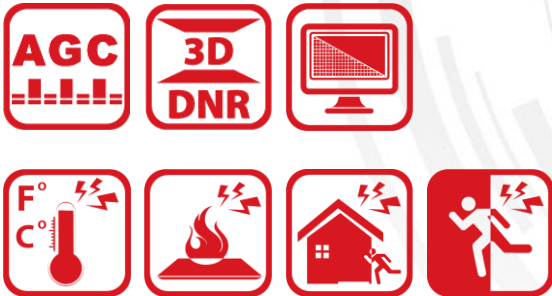


DS-2TD4136T-9/25/50

Thermometric Thermal & Optical Bi-spectrum Network Speed Dome



Hikvision DS-2TD4136T-9/25/50 Thermometric Thermal & Optical Bi-spectrum Network Speed Dome is applied to manufacture process supervision of pyrophoric materials in factories, electric substation, and hydropower station. The accurate temperature measurement system sends you alarms to protect you from property loss.

Smart Function (Thermal Imaging)

- Leading image processing technology: Adaptive AGC, DDE, 3D DNR, NETD < 40mk (@25°C, F#=1.0)
- Powerful behavior analysis algorithm: Line crossing, Intrusion, Region Entrance & Exit
- Reliable temperature exception alarm function
- Advanced fire detection algorithm
- Smart tracking: Panorama tracking, Event tracking and Multi-scene patrol tracking
- Smart tracking linkage: thermal view and optical view
- -20°C to 550°C (-4°F to 1,022°F) temperature Range
- Max (±2°C, ±2%) temperature accuracy
- Support point, line, frame temperature measurement type.

Thermal Imaging Module Function

- 384*288 resolution, high sensitivity sensor, support contrast adjustment
- Support shutter adjustment in various modes
- 3D DNR, 15 palettes of color adjustable, image detail enhancement



Specifications

Parameter		Model	DS-2TD4136T-9	DS-2TD4136T-25	DS-2TD4136T-50
		Thermometric Thermal & Optical Bi-spectrum Network Speed Dome			
Thermal module	Image sensor	Vanadium Oxide Uncooled Focal Plane Arrays			
	Max. Resolution	384 × 288			
	Detector Pitch	17μm			
	Response waveband	8μm to 14μm			
	NETD	< 40mk (@25°C,F#=1.0)			
	Lens (focal length)	9mm	25mm	50mm	
	Focus Mode	Fixed	Auto / Semi-auto / Manual		Auto / Semi-auto / Manual
	MRAD	1.89	0.68	0.34	
	Field of View	41.3°×30.6°	14.88° x 11.19°		7.47° x 5.61°
	Min. Focusing Distance	1m	1.5 m	7.5 m	
F number	1.0				
Optical camera	Image Sensor	1/1.9" Progressive Scan CMOS			
	Min. Illumination	Color: 0.002 lux @ (F1.5, AGC On) B/W : 0.0002 lux @ (F1.5, AGC On)			
	Focal Length	5.7-205.2mm, 36x			
	Digital Zoom	16 X			
	Field of View	58.7° - 2.0° (Wide-Tele)			
	Min. Working Distance	10-1500mm (Wide-Tele)			
	Aperture Range	F1.5-F4.5			
	Focus Mode	Auto / Semiautomatic / Manual			
	WDR	120dB			
	Shutter Time	PAL: 1-1/30,000s / NTSC: 1-1/30,000s			
	White Balance	Auto/Manual /ATW/Indoor/Outdoor/Daylight lamp/Sodium lamp			
	Day & Night	IR Cut Filter			
	Privacy Mask	24 privacy masks programmable; optional multiple colors and mosaics			
Optical Defog	Yes				
Enhancement	3D DNR				
Smart function	VCA	Support 4 VCA rule types (Line Crossing, Intrusion, Region Entrance, and Region Exiting), 10 scenes and 8 VCA rules for each scene.			
	Temperature Measurement	Support 3 temperature measurement rule types, over 256 presets as scene, 21 rules of each scene (10 points, 10 regions, and 1 line)			
	Temperature range	-20°C to 550°C (-4°F to 1,022°F)			
	Temperature accuracy	Max (±2°C, ±2%)			
Fire detection	Support 10 fire points				
PTZ	Movement Range	Pan: 360° Continuous Rotate; Tilt: From -15° to + 90° (auto flip)			
	Pan Speed	Configurable, From 0.1°/s to 160°/s, Preset Speed: 240°/s			
	Tilt Speed	Configurable, From 0.1°/s to 120°/s, Preset Speed: 200°/s			
	Proportional Zoom	Yes			
	Presets	300			
	Patrol Scan	8; Up to 32 Presets Per Patrol			
	Pattern Scan	4; More Than 10 Minutes Per Pattern			
	Power Off Memory	Yes			
	Park	Preset/Pattern Scan/Patrol Scan/Auto Scan/Tilt Scan/Random Scan/Frame Scan/Panorama Scan			
	PT Status	Turn On/Turn Off			
	Scheduled Task	Preset/Pattern Scan/Patrol Scan/Auto Scan/Tilt Scan/Random Scan/Frame Scan/Panorama Scan/Doom Reboot/Doom Adjust/Aux Output			
Infrared	IR Distance	Up to 200m			
	IR Intensity and Angle	Auto Adjust			

Network	Main Stream	Optical: 50Hz:25fps(1920×1080), 25fps(1280×960), 25fps(1280×720) Optical: 60Hz:30fps(1920×1080), 30fps(1280×960), 30fps(1280×720) Thermal: 50fps(384 × 288)
	Sub stream	50Hz:25fps (704 × 576), 25fps (352 × 288), 25fps (176 × 144) 60Hz:30fps (704 × 480), 30fps (352 × 240), 30fps (176 × 120) Thermal: 50fps (384 × 288)
	Video compression	H.264 (Baseline/Main/High Profile) /MJPEG/MPEG4
	Audio compression	G.711u/G.711a/G.722.1/MP2L2/G.726/PCM
	Protocols	IPv4/IPv6,HTTP,HTTPS,802.1x,Qos,FTP,SMTP,UPnP,SNMP,DNS,DDNS,NTP,RTSP,RTCP,RTP,TCP,UDP,IGMP,ICMP,DHCP, PPPoE, Bonjour
	Simultaneous live view	Up to 20-ch
	User/Host level	Up to 32 users, 3 levels: Administrator, Operator, User
	Security measures	User authentication (ID and PW), MAC address binding, HTTPS encryption, IEEE 802.1x access control, IP address filtering
Integration	Alarm Input	Up to 7-ch Input (0-5V DC)
	Alarm Output	Up to 2-ch Relay Output; Support Alarm Linkage
	Alarm Action	Preset/Patrol Scan/Pattern Scan/SD Card Record/Relay Output/Smart capture/FTP upload/Email linkage
	Audio Input	LINE_IN Input/MIC Input; Peak: From 2 to 2.4V[p-p]; Output Impedance: 1KΩ±10%
	Audio Output	Linear Level; Impedance: 600Ω
	Communication Interface	Built-in RJ45; 10M/100M Ethernet Interface
	Onboard Storage	Built-in Micro SD/SDHC/SDXC Card Slot, Up to 64GB; Support Manual/Alarm Recording
	Analog Video Output	1.0V [p-p]/75Ω, PAL/NTSC/BNC
	RS485	Half-Duplex; HIKVISION, PELCO-P and PELCO-D Self-adaptive
	API	Open-ended API, support ISAPI; Support HIKVISION SDK and Third-party Management Platform
	Client	iVMS-4200
	Web Browser	IE 7+, Chrome 18+, Firefox 5.0+, Safari 5.02+; Multiple Languages
General	Menu	English
	Wiper	Yes
	Power	24V AC, 60W
	Work Temperature/Humidity	From -40°C to 60°C (-40°F to 140°F); Humidity: 90% or Less
	Protection Level	IP66 Standard; TVS 6000V Lightning Protection, Surge Protection and Voltage Transient Protection
	Weight	Approx. 8kg (17.64 lb)

Wide Range Coverage for Different Specifications

Note: The table below is only for reference, the performance varies from model to model, and the specific data is based on 17 μm detector-pitch.

Lens (focal length)	9mm	10mm	15mm	25mm	35mm	50mm	75mm
Detection range (Vehicles)	812m	902m	1353m	2255m	3157m	4510m	6765m
Detection range (Humans)	265m	294m	441m	735m	1029m	1471m	2206m
Recognition range (Vehicles)	203m	225m	338m	564m	789m	1127m	1691m
Recognition range (Humans)	66m	74m	110m	184m	257m	368m	551m
Identification range (Vehicles)	101m	113m	169m	282m	395m	564m	846m
Identification range (Humans)	33m	37m	55m	92m	129m	184m	276m

Smart functions Range Table

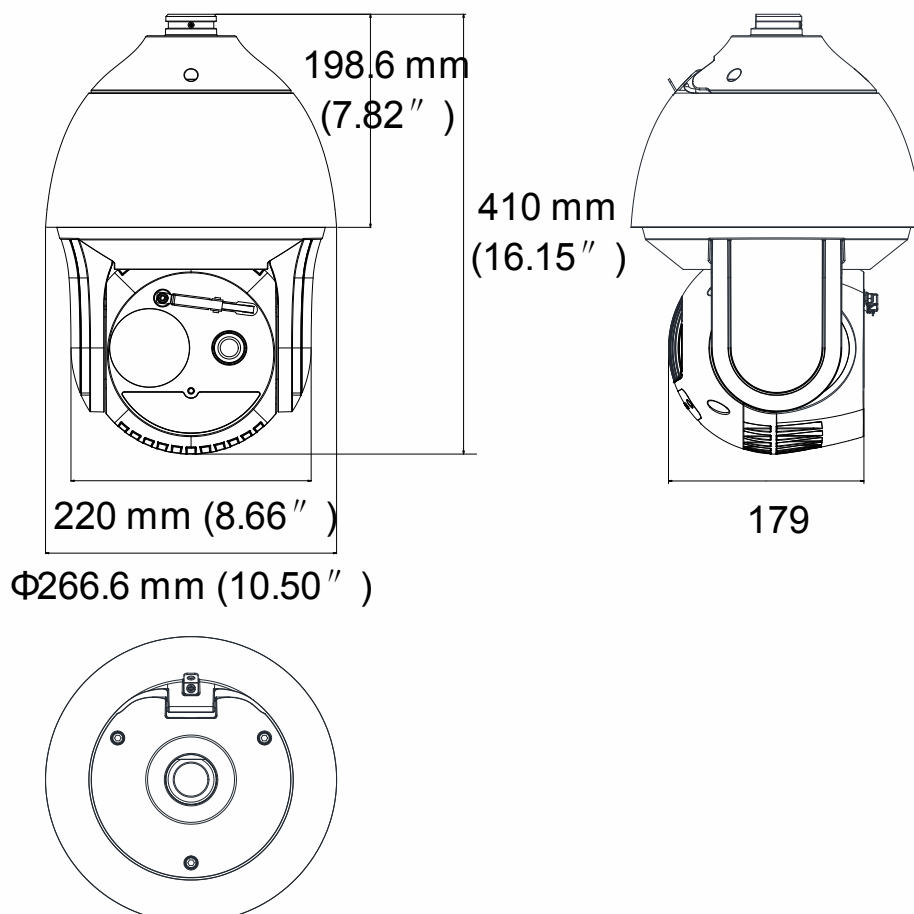
Note: The table below is only for reference, the performance varies from model to model, and the specific data is based on 17 μm detector-pitch.

Lens (focal length)	9mm	10mm	15mm	25mm	35mm	50mm	75mm
VCA range (humans)	65m	72m	110m	183m	255m	360m	540m
VCA range (Vehicles)	184m	205m	308m	514m	720m	1029m	1544m
Temperature measurement (Object:2×2 m)	210m	234m	351m	585m	819m	1170m	1775m
Temperature measurement (Object:1×1 m)	105m	118m	177m	295m	413m	590m	885m
Fire Detection (Object:2×2 m)	528m	588m	882m	1470m	2058m	2940m	4410m
Fire Detection (Object:1×1 m)	264m	294m	441m	735m	1029m	1470m	2205m

Order Models

DS-2TD4136T-9; DS-2TD4136T-25; DS-2TD4136T-50

Dimensions



Distributed by

**HIKVISION®****Headquarters**

No.555 Qianmo Road, Binjiang District,
Hangzhou 310051, China
T +86-571-8807-5998
overseasbusiness@hikvision.com

Hikvision USA
T +1-909-895-0400
sales.usa@hikvision.com

Hikvision Europe
T +31-23-55-42-770
info.eu@hikvision.com

Hikvision Middle East
T +971-4-8816086
salesme@hikvision.com

Hikvision Russia
T +7-495-669-67-99
saleru@hikvision.com

Hikvision India
T +91-22-28469900
sales@pramahikvision.com

Hikvision Italy
T +39-0438-6902
info.it@hikvision.com

Hikvision France
T +33(0)1-85-330-450
info.fr@hikvision.com

Hikvision Spain
T +34-91-737-16-55
info.es@hikvision.com

Hikvision Poland
T +48-22-460-01-50
poland@hikvision.com

Hikvision UK
T +01628-902140
support.uk@hikvision.com

Hikvision Singapore
T +65-6684-4718
sg@hikvision.com

Hikvision Oceania
T +61-2-8599-4233
salesau@hikvision.com

Hikvision Canada
T +1-909-895-0400
sales.usa@hikvision.com

Hikvision Korea
T +82-31-731-8841
sales.korea@hikvision.com

Hikvision Brazil
T +55 11 3318-0050
Latam.support@hikvision.com

Hikvision Africa
T +27 (10) 0351172
sale.africa@hikvision.com

Hikvision Hong Kong
T +852-2151-1761